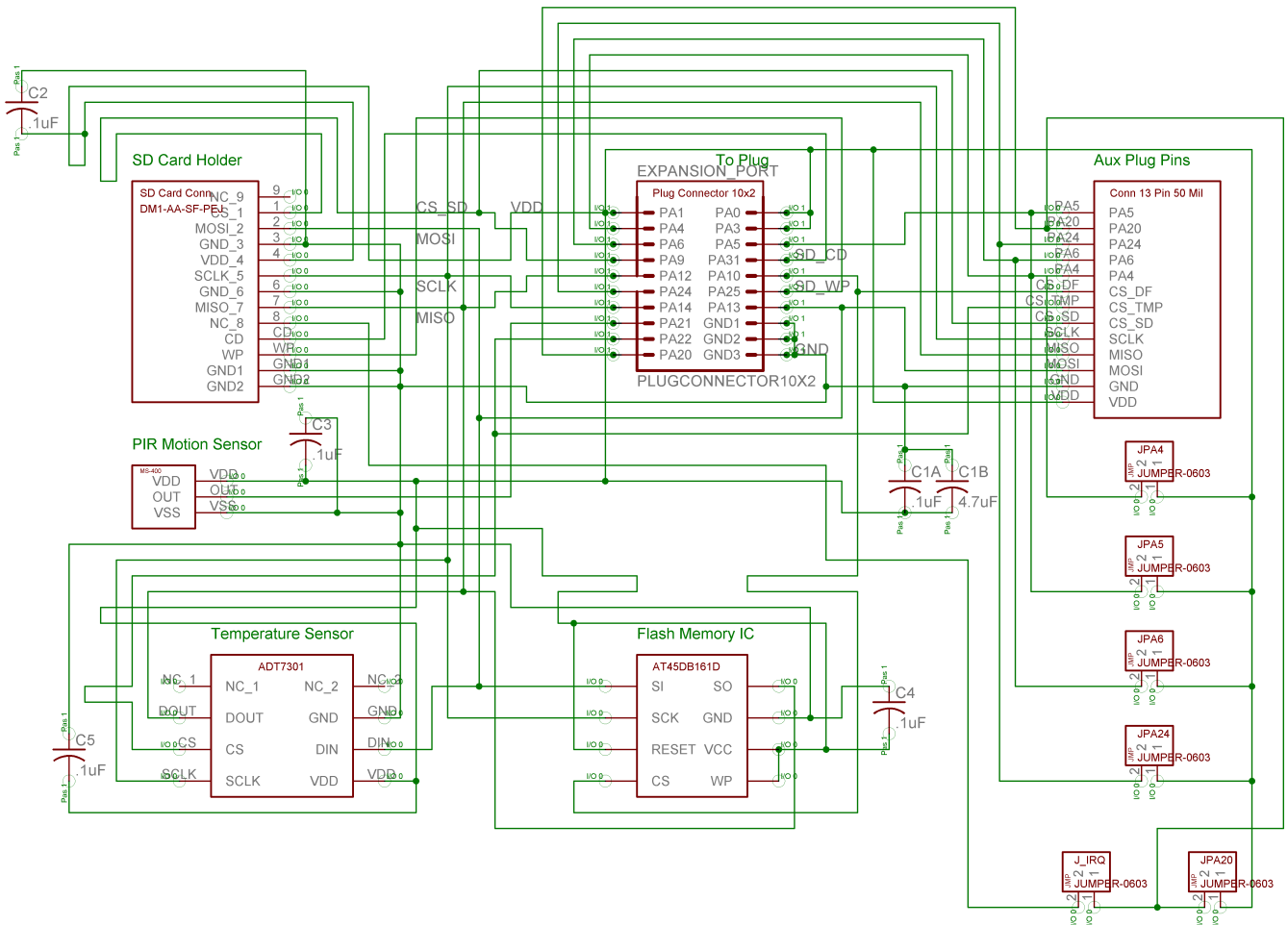


Plug Daughterboard Documentation

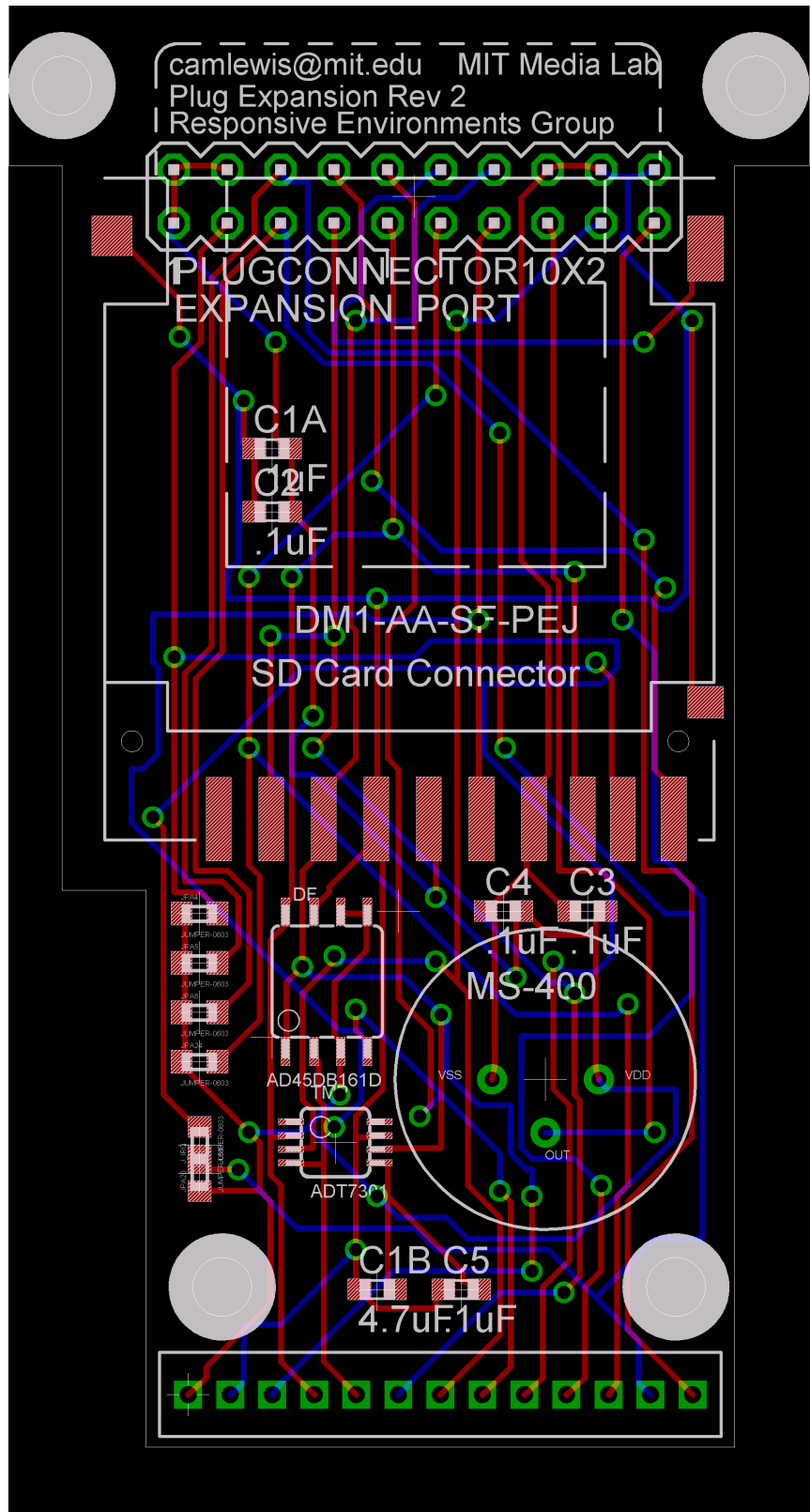
Cameron Lewis (camlewis@mit.edu)



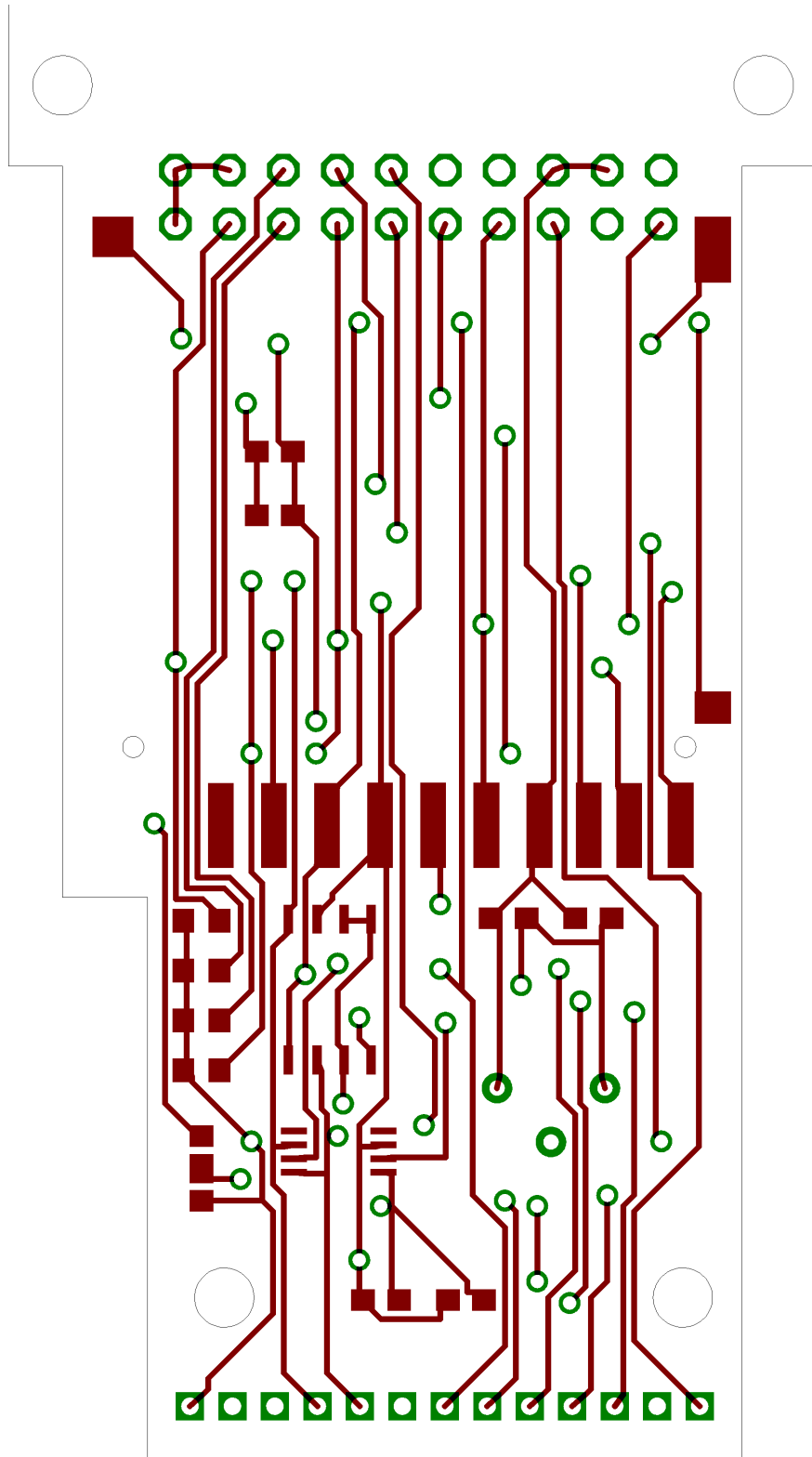
Circuit Schematic



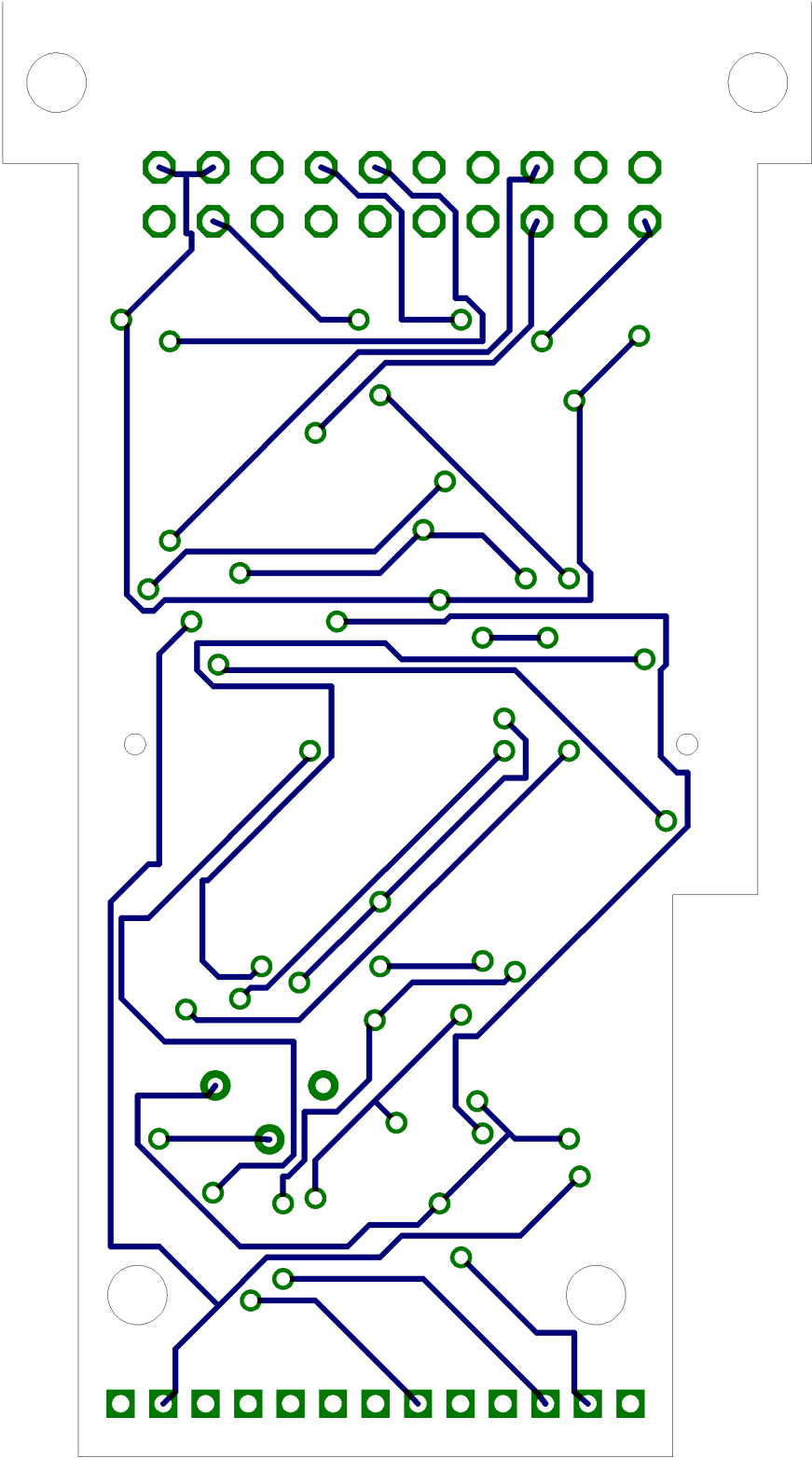
Board Layout



Top Copper Layer (View from Top)



Bottom Copper Layer (View from Back)



Bill Of Materials

<u>Device</u>	<u>Part #</u>	<u>Package</u>	<u>Cost</u>	<u>Distributor</u>	<u>Manufacturer</u>
DataFlash Storage IC	AT45DB161D-MU	SOIC8	\$3.49	Digikey	Atmel
SPI Temperature Sensor	ADT7301	MSOP08	\$1.20	Analog Devices	Analog Devices
PIR Motion Sensor	MS-402	Custom	\$9.80	Piezo-Science	Fuji & Co
SD Memory Card Connector 1.2 mm Standoff	SCDA1A0801	Custom	\$1.70	Mouser	ALPS Electronics
3/16" Length, #2 Screw Size 100-Pack	94639A703	Custom	\$5.79	McMaster	-
Thread, 3/8" Length 100-Pack	93135A079	Custom	\$4.99	McMaster	-
Thread, 7/16" Length 100-Pack	93135A080	Custom	\$5.01	McMaster	-
3/16" Width, 1/16" Height 100-Pack	94812A111	Custom	\$5.13	McMaster	-
Sheet	8589K12	Custom	\$3.86	McMaster	-
5 x 0.1uF Capacitor	-	-	-	ResEnv Surplus	-
1 x 4.7uF Capacitor	-	-	-	ResEnv Surplus	-